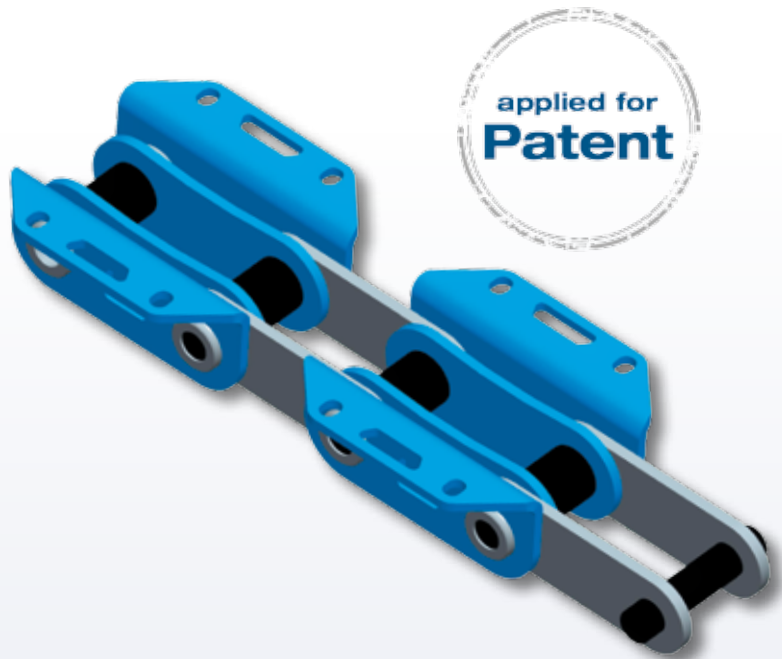


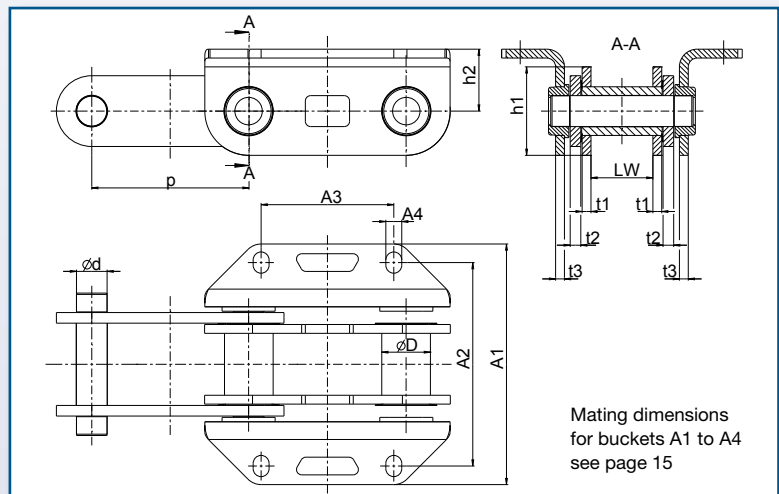
THIELE HLB-W bucket elevator chain

Using the reversible versions of THIELE's high-performance HLB-W bucket elevator chain system helps extend the lifespan of the product.

The geometrically optimised design of the chain links makes for reduced wear at the bushes and chain wheels. The load-bearing, push-on bucket holders also help reduce the joint surface pressure and greatly facilitate the chain reversing process.



THIELE HLB-W



Chain	F_{Br} [kN]	p [mm]	LW [mm]	d [mm]	D [mm]	t_1 [mm]	t_2 [mm]	t_3 [mm]	h_1 [mm]	min. h_2 [mm]	Weight [kg/m]
HLB-W 65	650	152,4	65	30	45	10	10	8	85	60	45
HLB-W 80B	800	152,4	70	35	55	10	12	10	100	70	62
HLB-W 80A	800	177,8	70	35	55	10	12	10	100	70	57
HLB-W 120	1200	177,8	70	40	65	14	16	10	115	80	80
HLB-W 150	1500	177,8	85	45	70	16	18	12	120	85	104
HLB-W 180	1800	177,8	95	50	75	18	20	12	130	90	121

F_{Br} = breaking strength
 p = pitch
 LW = clearance

d = pin diameter
 D = bush outer diameter

t_1 = thickness of inner link
 t_2 = thickness of outer link
 t_3 = thickness of bucket plate

h_1 = height of inner link
 min. h_2 = bucket connector height